

Betsi®

SICHERHEIT IM HOLZBAU GARANTIERT AUSSERGEWÖHNLICHES



www.sihga.com

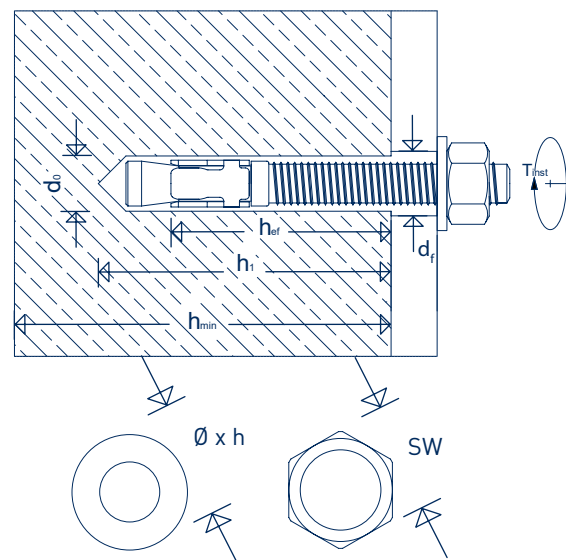


Betsi®

Stabebo®
SDS Bohrer



www.sihga.com



MA Nr. 38704/19/1

Betsi® d _f x L	AD [mm]	SW [mm]	Ø x h [mm]
8,0 x 75	17	13	16 x 1,6
10,0 x 90	25	17	20 x 2,0
10,0 x 100	35	17	20 x 2,0
10,0 x 120	55	17	20 x 2,0
10,0 x 150	85	17	20 x 2,0
10,0 x 170	105	17	20 x 2,0
12,0 x 110	28	19	24 x 2,0
12,0 x 120	38	19	24 x 2,0
12,0 x 140	58	19	24 x 2,0
12,0 x 160	78	19	24 x 2,0
12,0 x 180	98	19	24 x 2,0

Betsi®	ETA 12/0594		
Ø	[mm]	M10	M12
h _{ef}	[mm]	55	65
d _o	[mm]	10	12
d _f	[mm]	12	14
h ₁	[mm]	75	85
h _{min}	[mm]	110	130
T _{inst}	[Nm]	35	60



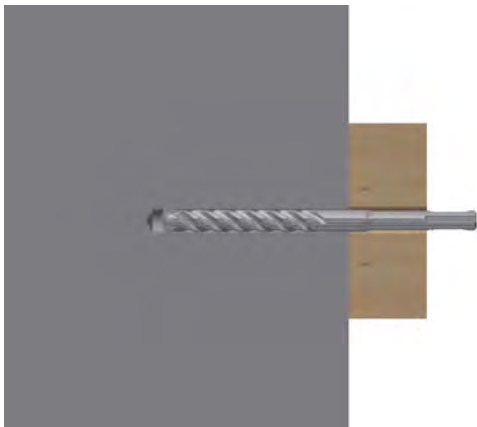
SIHGA APP



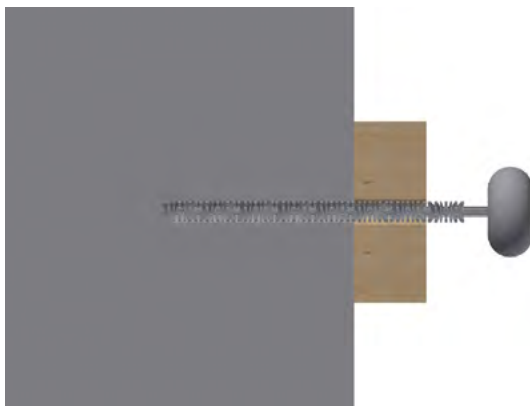
TAKE THE BEST



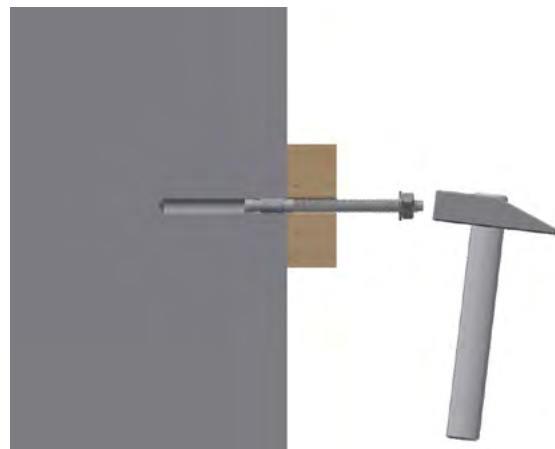
1.



2.



3.



4.

