



www.sihga.com

Monitorix® power supply

INNOVATIVE CONSTRUCTION TECHNOLOGY
AND SUPPORT FOR THE FUTURE

MA Nr. 60308/24/10/EN

TAKE THE BEST



Leitbetrieb Leitbetrieb
Österreich Österreich



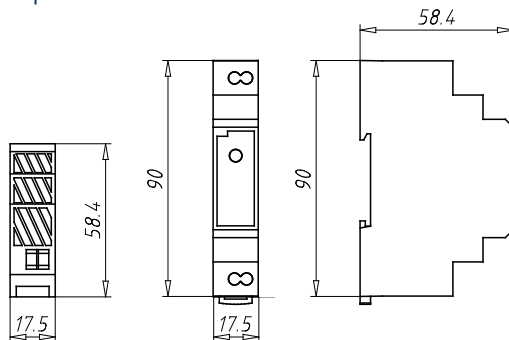
Assembly video



SIHGA® GmbH | Gewerbestraße 4 | 4694 Ohlsdorf bei Gmunden | AUSTRIA
Tel.: +43 7612 / 74 370 - 0 | E-Mail: info@sihga.com | www.sihga.com

1

Packaging unit: 1 pc
Top-hat rail mounting possible
On top-hat rail: 1 DU*



*DU= Dividing unit (18 mm)

2



3 Connection to electronics

power supply processor unit LAN-module



4 Mains connection

! ATTENTION! 230V connection may only be by a qualified electrician



Low voltage 12V

V+ red + 12V

V- black - 12V

230V

N neutral conductor

L phase

PE earthing/functional earthing is clamped to V-

5 Power supply connection detail



6 Power supply status LED

 currentless

 under voltage

