

WabaFix® WF

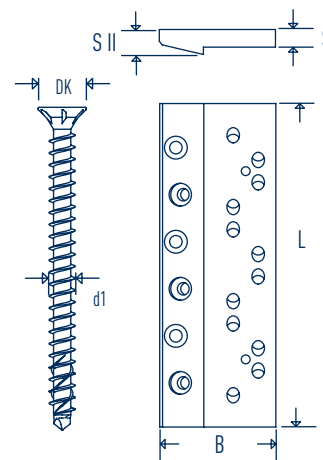
TECHNICAL DATA SHEET



Dimension [mm]

WabaFix® WF

Type	L	B	S	S II
WF 210	210	79	12	17
WF 280	280	79	12	17



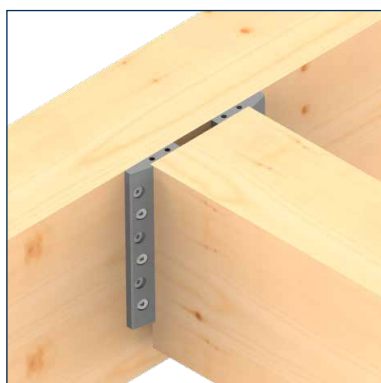
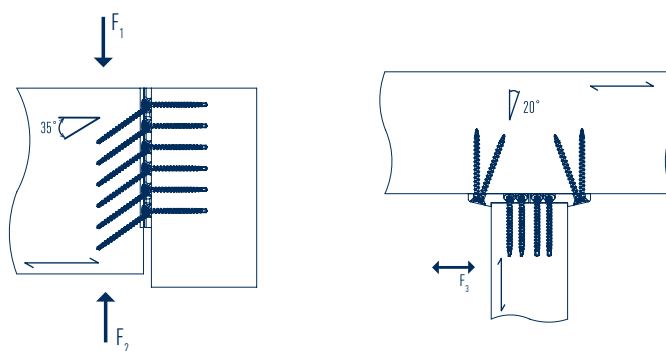
SIHGA®		WabaFix®	Secondary Beam		Drill	Characteristic Values*			Recommended Values Wood - Beton²		
objektpack®	WF	Type	Width [mm]	Height [mm]	GoFix® S+	Load Direction [kN]			Load Direction [kN]		
Art. No.	PU	Type	[mm]	[mm]	d1 x L	F ₁	F ₂	F ₃	F ₁	F ₂	F ₃
43146	6 ¹	210	100	250	8,0 x 95	39,16	32,18	25,70	19,40	19,40	14,80
43156	6 ¹	210	100	270	8,0 x 125	48,17	39,16	31,27	19,40	19,40	14,80
43206	4 ¹	280	100	320	8,0 x 95	65,05	49,23	34,27	25,86	25,86	19,73
43216	4 ¹	280	100	340	8,0 x 125	78,08	59,90	41,70	25,86	25,86	19,73

¹ corresponds to 3 or 2 connections

² recommended values for concrete at least C 20/25, without edging influence

attachment by means of BeziFix® anchor ZF 7,5 x 80 mm, screws, available separately

* characteristic values for design per EC 5, bulk density $\rho_k = 385 \text{ kg/m}^3$



DETAILS

- universal heavy-load connection up to 78.08 kN per fastening point
- load attachment without risk of abrasion during installation
- monitored production from aluminium
- for wall/beam connections, corner connections with wooden walls, partition wall fastening, wood cover fastening
- fastening on concrete possible with BeziFix® anchors ZF 7,5 x 80
- verifiable calculation model from TU Graz

